

SX8 | Rackmount Optical Switch



Product Description

JGR's SX8 fiber optic switches are customizable benchtop/rackmount instruments ideal for high-volume manufacturing production testing. Available in single-mode or multi-mode, the switch configurations range from 1x2 up to 1x360. Optional 2x1 or 4x1 built-in switches can provide additional common inputs. The switch may be controlled through remote interface (GPIB, RS232, or USB*) or locally via the user-friendly front panel keypad and display.

A variety of configuration options offers additional flexibility. The front panel bulkheads may be fit with typical FC, SC, LC connector types or customizable configurations available. Switches with up to 48 bulkhead channels for FC (64 channels for LC and SC) are available in a 3U chassis or 100 pigtail. Larger count switches move to a 6U chassis.

*USB interface via-USB-DB9 adapter

KEY FEATURES

- Low IL at 0.7 dB
- Up to 360 outputs
- Many configuration possibilities
- User Friendly

APPLICATIONS

- High-volume production testing
- Multiple device testing
- R&D applications
- System compliance testing

COMPLIANCE

- UL/CSA 61010
- IEC 61010
- FCC Part 15 (Class A)
- EN 61326 (Class A)

IN THE BOX

- SX8 Switch
- AC power cord
- Test Report

JGR Optics Inc.

160 Michael Cowpland Dr.

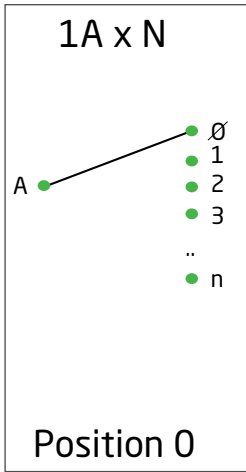
Ottawa, Ontario K2M 1P6 CANADA

15 | T 613-599-1000 | F 613-599-1099 | info@jgroptics.com

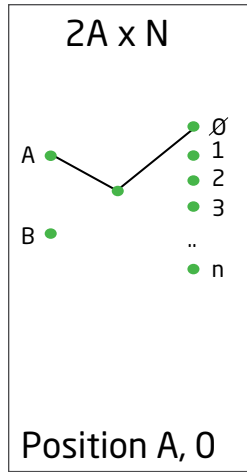
WWW.JGROPTICS.COM



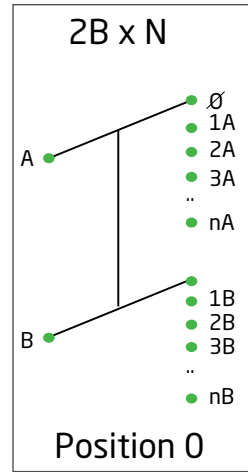
Configuration Options



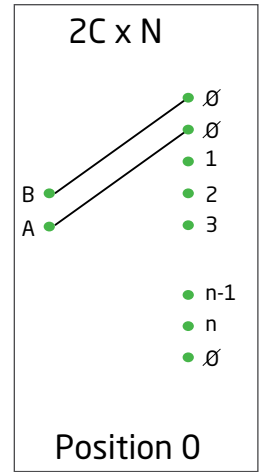
1A Configuration - Single input, switched to any output



2A Configuration - Two switchable inputs, switched to any output

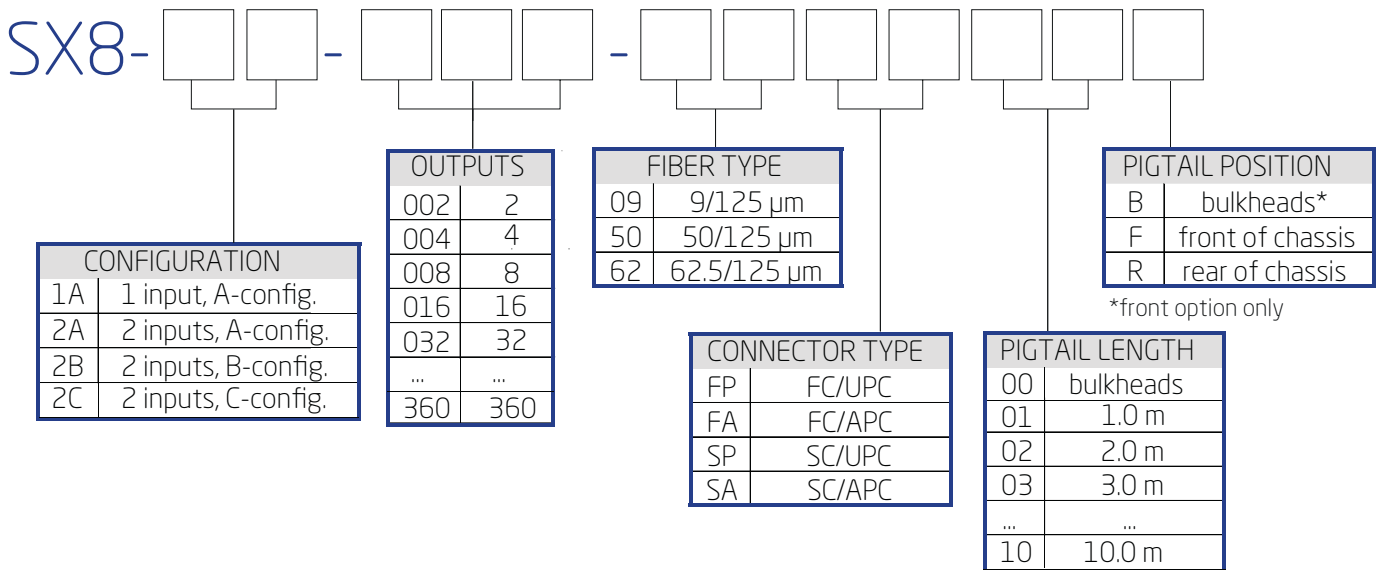


2B Configuration - Two inputs switched to synchronized outputs



2C Configuration - Two inputs switched to any output with second input trailing first input

Ordering Scheme



Specifications

OPTICAL / ELECTRICAL SPECIFICATIONS		
Parameter	Specification	
	Single-mode	Multimode
Wavelength Range (nm)	1250 - 1670	840 - 1350
Insertion Loss (dB) ¹	0.7	
Backreflection (dB) ¹	≤ -60	≤ -40
PDL (dB)	0.05	N/A
Repeatability (random switching) (dB)	± 0.03	
Repeatability (sequential) (dB)	± 0.005	
Crosstalk (maximum) (dB)	-80	
Maximum Input Power (mW)	300	
Switching Time (ms)	300	
Input Voltage	100 - 240 V AC, 50 - 60 Hz	
Power Consumption (VA)	150 maximum	
Control	Front Panel / GPIB / RS232 / USB ²	
Switch Life	10 ⁸ cycles	

Notes:

¹ Excluding connectors.

² USB interface via USB-DB9 adapter.

OPTICAL / ELECTRICAL SPECIFICATIONS	
Parameter	Specification
3U Unit Dimensions W x H x D (cm)	48 x 13.5 x 37.5
6U Unit Dimensions W x H x D (cm)	48 x 27 x 37.5
3U Shipping Box Dimensions W x H x D (cm)	53 x 32 x 57
6U Shipping Box Dimensions W x H x D (cm)	53 x 55 x 55
Unit Weight (kg)	14 (depending on configuration)
Total Shipment Weight (kg)	15 (depending on configuration)
Operating Temperature (°C)	0 to 55
Storage Temperature (°C)	-40 to 70
Humidity (Non-condensing) (°C)	Maximum 95% RH from 0 to 40

JGR Optics Inc.

160 Michael Cowpland Dr.

Ottawa, Ontario K2M 1P6 CANADA